

# INTRODUCTION

Soyntec® thanks you for buying WiFFinder™ 400. We wish you enjoy using it.

The Soyntec® WiFFinder™ 400 Executive case bag allows you know the WiFi level signal no matter where you are, without the necesisty to take of your laptop from the bag case. Protect your laptop of intelligent form.

We recommend to read this user manual in order to enjoy the product in a safe way and with the best features.

## CARE AND MAINTENANCE

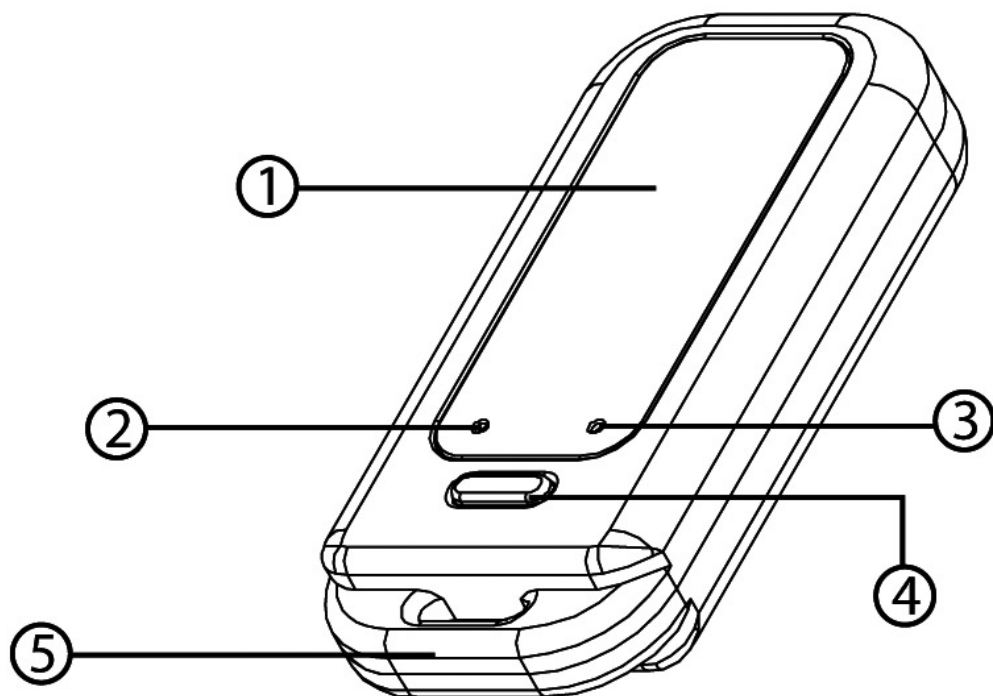
- Do not expose your WiFFinder™ 400 to shakes, dust or water.
- Do not use abrasive or corrosive cleansers.
- Keep the WiFFinder™ device clean and without dust with a soft and dry cloth.
- Replace the batteries when it's been depleted.
- Do not disassemble the device. Any repair work must be performed by qualified Energy Sistem Soyntec's personnel.

## MAIN FEATURES

- WiFi finder integrated into the bag
- Clock integrated
- Up to 15.4"
- Pen, mobile, MP3/MP4 compartments
- Adjustable strap shoulder
- Compartments for cards
- Exterior dimensions: 44 x 38.5 x 12 cm
- Interior dimensions: 38 x 30 x 4.5 cm

- Laptop case
- WiFi Finder - clock
- User's Manual

# GENERAL OVERVIEW



- 1) LCD Display with clock
- 2) Hours button
- 3) Minutes button
- 4) WiFi detector button
- 5) Purlin's gap

## BATTERIES REPLACEMENT

- Your WiFFinder™ 400 have included 2 CR2032 lithium batteries in the WiFFinder's rear.
- If the devices detecting stance is shorter than usual, this may indicate that the batteries need to be replaced.
- To replace the old batteries for other new ones, open the back cover of the battery compartment.
- Take out the two CR2032 lithium batteries and replace with two fresh batteries.
- For this, please replace it in a correct way (“+”towards outside, “-”towards inside).

## HOW TO OPERATE

- Press the small buttons, one to adjust the definite hour you need, the other to adjust minutes.
- Press the big button lightly five verticals should flash one by one as a circle. This means the device is searching for a signal.
- After searching, the five verticals like a circle still on it and how many signal verticals you got depends on signal status.
- If there is no signal bar verticals on it (after flashing), it means no signal or too weak of a signal for the device to detect.

## HOW TO OPERATE

- If only the first indicator come on till two second (after flashing), a weak wireless signal has been detected. A wireless connection is possible, but may not be stable.
- If both the first and second indicator come on and till two second (after flashing), the device has detected a good wireless signal. The area is favorable for accessing a wireless internet connection.
- If all six verticals come on (after flashing) , the device has detected a very strong wireless signal. The area is ideal for accessing a wireless internet connection.

## HOW TO OPERATE

- Once the button is pressed one time, the WIFI finder will search for a signal for 3 seconds. If no wireless signal is detected after 3 seconds, it's advised that you move to another area to search for a connection.
- The WIFI finder will stay 3 seconds once you have searched a signal, after that the device will turn off automatically when the button is not pressed. only time on display.

### **NOTE:**

Due to area differences, the detective distance may vary from place to place.

**Technical support email address: [soporte@soyntec.com](mailto:soporte@soyntec.com)**

Soyntec guarantees that your product does not have any material, design or manufacture defect and provides 36 month guarantee.

## **Guarantee procedure**

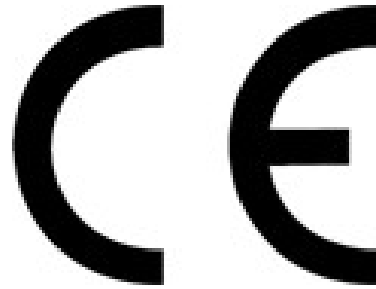
Direct to your vendor and present the purchase invoice or ticket. For more information visit [www.energysystem.com](http://www.energysystem.com).

*Specifications are subject to change without notice.*

*© 2007 by Soyntec. All rights reserved.*

## *Trademarks*

*All company, brand and product names are trademarks or registered trademarks of their respective companies.*



## **AGREEMENT DECLARATION**

Supplier Name: Energy Sistem Soyntec S. A.

Address: Pol. Ind. Finestrat C/ Calpe esq. C/ Alicante S/N, 03509 Finestrat Alicante

*Tel: 902 388 388*

***Fax: 902 119 034***

NIF: A53107488

**We declare under our own exclusive responsibility the product agreement:**

*Soyntec® WiFFinder™ 400*

*Manufacturing country: China*

**which concern this agreement, with the norm(s) or other(s) formative(s) document(s).**

**In accord with the disposition of the Directive 93/68/CEE, from the European Parliament and the Counsel from 22th July 1993, transposed to the spanidh legislation through the Real Decree 1950/1995, from 1th December 1995.**