

# INTRODUCTION

Soyntec® thanks you for buying WiFFinder™ 200. We wish you enjoy using it.

The WiFFinder™ 200 shoulder strap allows you to know the WiFi signal level no matter you are, only by pressing a button. Style and technology joined to create the Soyntec® laptops collection.

We recommend to read this user manual in order to enjoy the product in a safe way and with the best features.

## CARE AND MAINTENANCE

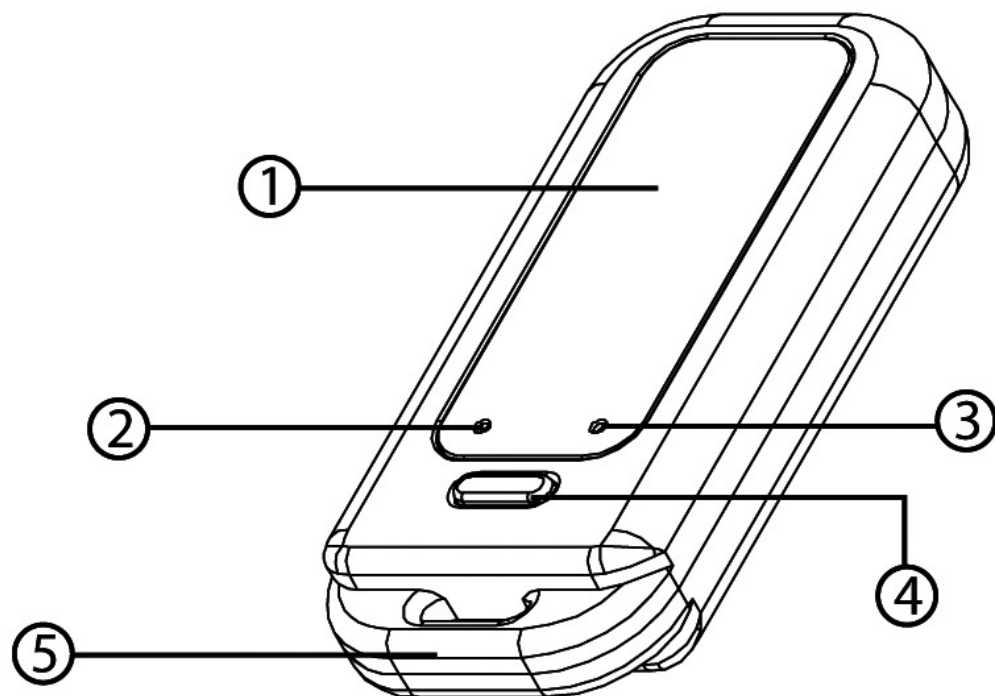
- Do not expose your WiFFinder™ 200 to shakes, dust or water.
- Do not use abrasive or corrosive cleansers.
- Keep the dWiFFinder™ device clean and without dust with a soft and dry cloth.
- Replace the batteries when it's been depleted.
- Do not disassemble the device. Any repair work must be performed by qualified Energy Sistem Soyntec's personnel.

## MAIN FEATURES

- WiFi finder integrated into the bag
- Clock integrated
- Up to 15.4"
- Pen, mobile, MP3/MP4 compartments
- Adjustable strap shoulder
- Removable cover protection laptop
- Exterior dimensiones: 38 x 34 x 9 cm
- Interior dimensiones: 35 x 26 x 4.5 cm

- Shoulder strap for laptop
- WiFi Finder - clock
- User's Manual

# GENERAL OVERVIEW



- 1) LCD Display with clock
- 2) Hours button
- 3) Minutes button
- 4) WiFi detector button
- 5) Purlin's gap

## BATTERIES REPLACEMENT

- Your WiFFinder™ 200 have included 2 CR2032 lithium batteries in the WiFFinder's rear.
- If the devices detecting stance is shorter than usual, this may indicate that the batteries need to be replaced.
- To replace the old batteries for other new ones, open the back cover of the battery compartment.
- Take out the two CR2032 lithium batteries and replace with two fresh batteries.
- For this, please replace it in a correct way (“+”towards outside, “-”towards inside).

## HOW TO OPERATE

- Press the small buttons, one to adjust the definite hour you need, the other to adjust minutes.
- Press the big button lightly five verticals should flash one by one as a circle. This means the device is searching for a signal.
- After searching, the five verticals like a circle still on it and how many signal verticals you got depends on signal status.
- If there is no signal bar verticals on it (after flashing), it means no signal or too weak of a signal for the device to detect.

## HOW TO OPERATE

- If only the first indicator come on till two second (after flashing), a weak wireless signal has been detected. A wireless connection is possible, but may not be stable.
- If both the first and second indicator come on and till two second (after flashing), the device has detected a good wireless signal. The area is favorable for accessing a wireless internet connection.
- If all six verticals come on (after flashing) , the device has detected a very strong wireless signal. The area is ideal for accessing a wireless internet connection.

## HOW TO OPERATE

- Once the button is pressed one time, the WIFI finder will search for a signal for 3 seconds. If no wireless signal is detected after 3 seconds, it's advised that you move to another area to search for a connection.
- The WIFI finder will stay 3 seconds once you have searched a signal, after that the device will turn off automatically when the button is not pressed. only time on display.

### **NOTE:**

Due to area differences, the detective distance may vary from place to place.

**Technical support email address: [soporte@soyntec.com](mailto:soporte@soyntec.com)**

Soyntec guarantees that your product does not have any material, design or manufacture defect and provides 36 month guarantee.

## **Guarantee procedure**

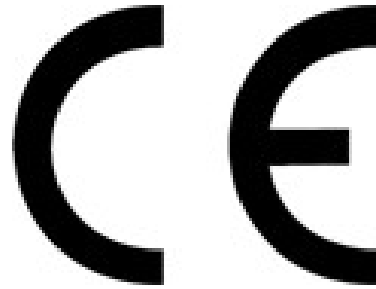
Direct to your vendor and present the purchase invoice or ticket. For more information visit [www.energysistem.com](http://www.energysistem.com).

*Specifications are subject to change without notice.*

*© 2007 by Soyntec. All rights reserved.*

## *Trademarks*

*All company, brand and product names are trademarks or registered trademarks of their respective companies.*



## **AGREEMENT DECLARATION**

Supplier Name: Energy Sistem Soyntec S. A.

Address: Pol. Ind. Finestrat C/ Calpe esq. C/ Alicante S/N, 03509 Finestrat Alicante

*Tel: 902 388 388*

***Fax: 902 119 034***

NIF: A53107488

**We declare under our own exclusive responsibility the product agreement:**

*Soyntec® WiFFinder™ 200*

*Manufacturing country: China*

**which concern this agreement, with the norm(s) or other(s) formative(s) document(s).**

**In accord with the disposition of the Directive 93/68/CEE, from the European Parliament and the Counsel from 22th July 1993, transposed to the spanidh legislation through the Real Decree 1950/1995, from 1th December 1995.**